

33 501 664

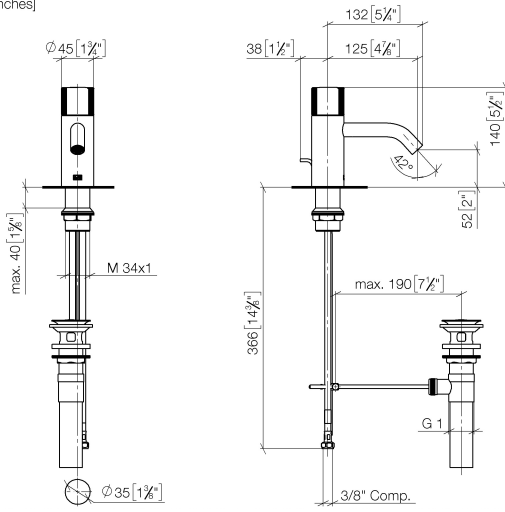


- 125mm projection
- progressive cartridge
- 1 1/4" pop-up waste
- fixed spout
- circular, air-enriched flow
- height of mixer 140 mm
- height up to aerator 52 mm
- hole diameter 35 mm
- 2 x pressure hose with 3/8" cap nut
- max. flow 4.5 l/min
- lead-free
- This product can help a building meet the requirements of Green Building Rating Systems, e.g. LEED®, BREEAM®, DGNB

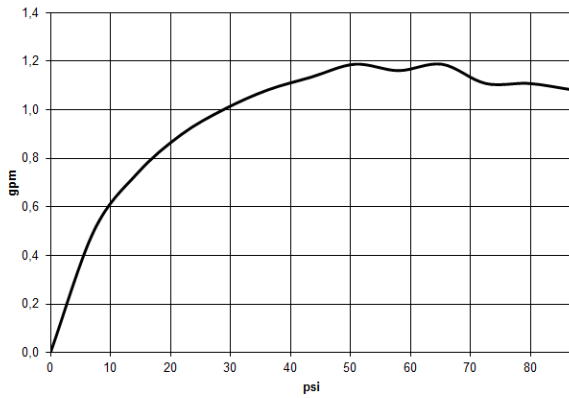
Only suitable for basins with an overflow.

33 501 664

mm [inches]



Flow rate chart



Codes & Standards

ASME
A112.18.1/CSA
B125.1

California Energy
Commission
(CEC)

NSF/ANSI 372

NSF/ANSI/CAN
61



META META PURE Single-lever basin mixer with pop-up waste - Chrome

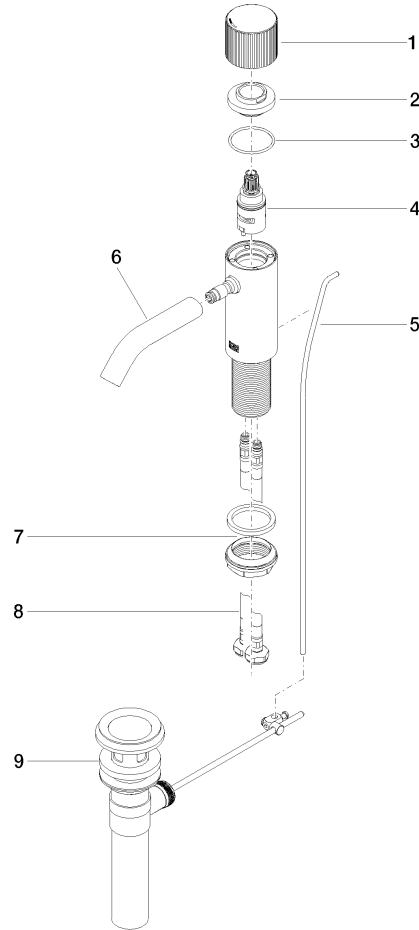
META

33 501 664

Certificates

IAPMO_4976 (5). IAPMO_N-4976 (1). IAPMO_6397 (1).

33 501 664



Spare parts list

No.	Item Number	Name	Quantity used	Delivery time
1	09 20 66 019-00	handle	1	10
2	09 24 04 340-00	nut	1	60
3	09 14 10 034 90	seal	1	2
4	90 90 03 169 00 90	top	1	2
5	09 31 09 110-00	pull-rod	1	10
6	90 11 06 206 01-00	spout	1	10
7	04 23 10 044 07 90	fixing set	1	2
8	04 30 04 102 00 90	High pressure hose 3/8" -	2	2
9	90 11 01 023 00-00	pop-up waste	1	10